

CARBON FIBRE TWO AND THREE STAGE TELESCOPING LIGHTMASTS

C-Quip's telescoping two and three stage lightmasts for motor yachts over 50 metres.

The light masts are hydraulically operated and can extend up to 10 metres. Concealed below deck, the masts are completely retracted when not in use.

Constructed from carbon fibre with stainless steel hardware the lightmasts can withstand weather conditions of Beaufort 12 without requiring any stays for support.

Easily operated from the bridge or via a remote control pendant.

- **The light mast is telescopic and hydraulically operated using double acting cylinders**
- **When not in use the light mast is concealed below deck**
- **Deploys and retracts within it's own housing**
- **Designed for strength, no stays required**
- **The mast has been designed to withstand hurricane conditions**
- **The mast is operated from a fixed panel on the bridge or a hand-held pendant**
- **Carbon fibre and stainless steel**
- **Housing length and extension height designed to individual specifications**
- **Integrated foredeck floodlight option available**



THREE STAGE
LIGHTMAST

CARBON FIBRE TWO AND THREE STAGE TELESCOPING LIGHTMASTS

PASSERELLES

BOARDING STAIRS

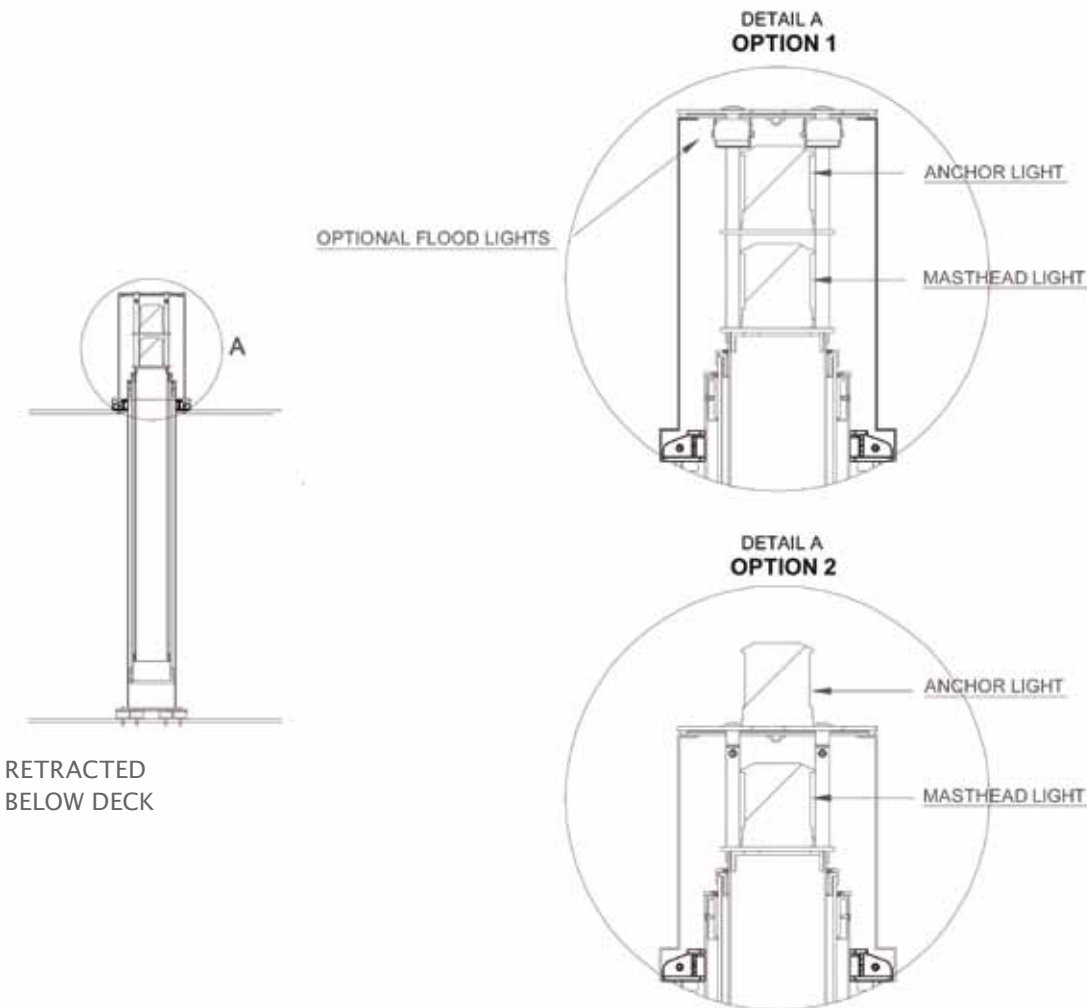
CRANES/DAVITS

LIGHTMASTS

BOAT BOOMS

TENDER FENDERS

SWIM LADDERS/STAIRS



THREE STAGE LIGHTMAST

TWO STAGE LIGHTMAST



TECHNICAL INFORMATION

CARBON FIBRE TELESCOPING LIGHTMASTS

Extension Length:	Up to 10 metres
Housing Diameter:	2 stage - 355mm; 3 stage - 406mm
Housing Length:	Customised to each project
Housing Height:	Customised to each project
Operating System:	Hydraulic, Telescoping 2-3 stages
Weather Conditions:	Designed for weather conditions found in Beaufort 12
Light:	Customer specified

CONSTRUCTION

Structure:	Carbon fibre with stainless steel hardware
Hydraulic Components:	High quality European components
Paint Finish:	Clear coat carbon fibre or yacht colour scheme