

## Dock Steps

The smart solution for filling awkward gaps between the dock and your yacht's boarding platforms, stairs or passerelles.

C-Quip's sturdy dock steps are constructed with non-slip teak steps, removable stainless steel handrail and lower stand to make boarding safer. Both height and width can be customised depending on your requirements. The stairs quickly flat-pack into an optional protective storage bag, which makes it easy for you to transport them to where they are needed.



### Key benefits

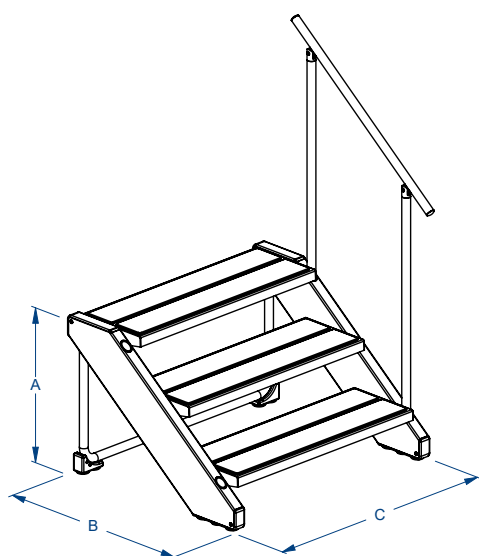
- Lightweight non-corroding materials
- Safe and sturdy
- Versatile
- Elegant design
- Compact storage
- Customisable
- Quick to set up

## Fit for purpose

Carrying C-Quip dock steps on board enables you to adapt to different boarding situations.

Rubber feet for non-slip and silent operation, dual handrail option, connection for a communication box and easy flat storage.

## Key measurements



## Construction

### Dock steps:

Carbon fibre pre-impregnated monocoque construction

### Fittings:

316 stainless steel fittings

### Paint Finish:

Clear coat carbon fibre or yacht colour scheme

### Steps:

Sustainably sourced teak

### Feet:

Non-slip rubber

## Technical information

### Dimensions

	3 Step	4 Step
Ground to top step height (mm) - A:	600	800
Depth (mm) - B:	958	1100
Siderail width (mm) - C*:	850 or 1300	850 or 1300

\*Inner step width = C - 100mm

### CONTACT US

t: +64 9 573 1970  
e: sales@c-quip.com

### GLOBAL LOCATIONS

New Zealand  
Europe  
America

### VISIT US

39 Vestey Drive, Mt. Wellington  
Auckland 1060, New Zealand  
www.c-quip.com

**C-QUIP**