

C-QUIP

Specialist designers and manufacturers of premium superyacht equipment

SWIM LADDERS | BOARDING STAIRS | PILOT LADDERS | TENDER FENDERS | LIGHT MASTS | TENDER BOOMS

Light Mast

C-Quip's telescoping two and three stage light masts are the ultimate solution for yachts 50 metres or longer.

Quickly deployed at the touch of a button, they extend to a height of up to 11 metres. The integration of both the signal and the anchor lights allow compliant navigation. The mast can be fully retracted into its compact housing for flush use on a heli-deck, or alternative deck configurations are available.

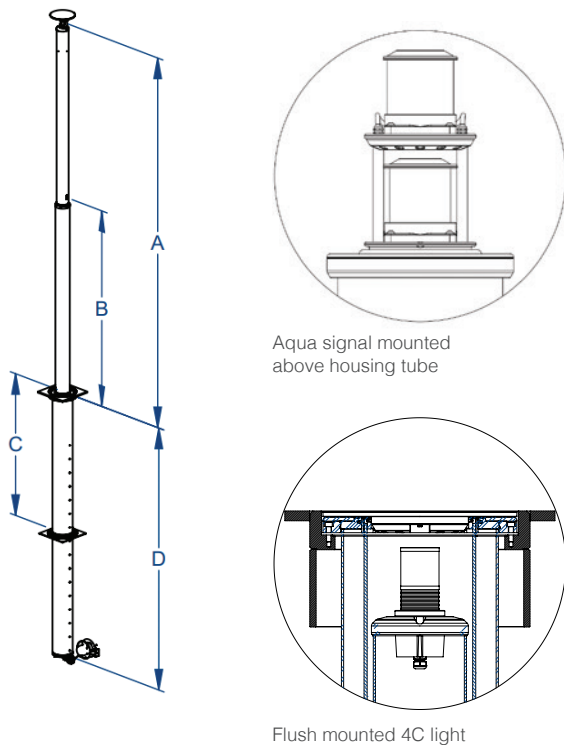
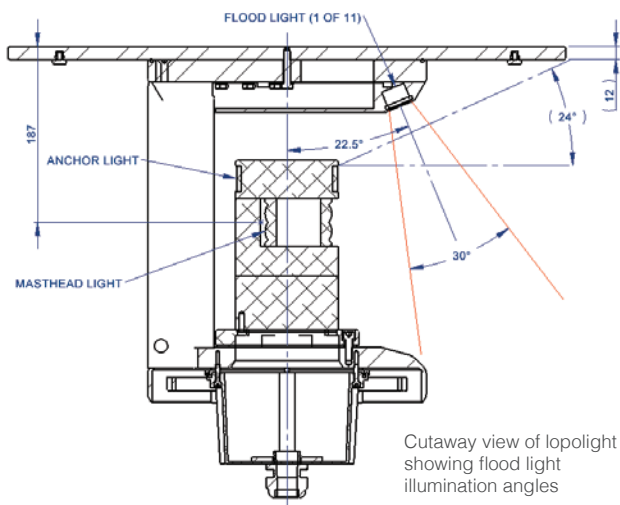


Key benefits

- Unstayed telescopic design
- Push-button deployed
- Flush to deck when retracted
- Watertight
- Non-corroding materials
- Various lighting configurations



Key measurements



Construction

Mechanism:

Hydraulic with a programmable logic controller

Paint finish:

Clear coat carbon fibre or yacht colour scheme

Mast:

Filament-wound carbon fibre tubes and 316 stainless steel components

Optional features

Low Profile Flood lights

To illuminate the deck beneath the Light Mast

Panama Lights

Blue Steering lights as required for vessels transiting the Panama Canal

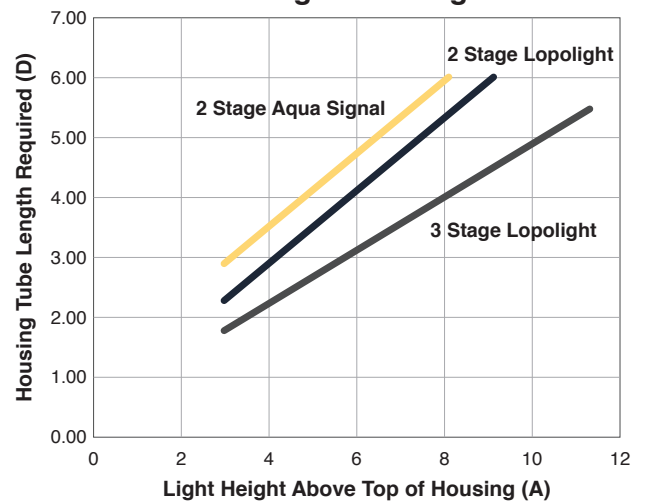
Additional Control Panel

To allow control of the Light Mast from the wheelhouse or other location

Remote Control

To allow control of the Light Mast from anywhere on the vessel

Light Height Above Housing Tube vs Housing Tube Length



Note that an additional 270mm of clear space is required underneath the Housing

Technical information

Housing Diameter (mm):	406
Panama light height from deck - B:	Can be positioned anywhere on upper telescopic tube
Through deck compliant mount (m) - C:	Min 1
Operating System:	Hydraulic, Telescoping, 2 or 3 stages
Weather Conditions:	Designed to resist winds up to Beaufort 12
Nav Light:	Lopelight or Aqua Signal Masthead & Anchor Light (custom options available)
Mounting Options:	Protruding above housing tube or flush mount
Power supply:	24V DC or 230V AC 50/60Hz

CONTACT US

t: +64 9 573 1970
e: sales@c-quip.com

GLOBAL LOCATIONS

New Zealand
Europe
America

VISIT US

39 Vestey Drive, Mt. Wellington
Auckland 1060, New Zealand
www.c-quip.com