

C-QUIP

Specialist designers and manufacturers of premium superyacht equipment

SWIM LADDERS | BOARDING STAIRS | PILOT LADDERS | TENDER FENDERS | LIGHT MASTS | TENDER BOOMS

Tender Boom

C-Quip's telescoping Tender Boom, for absolute peace of mind.

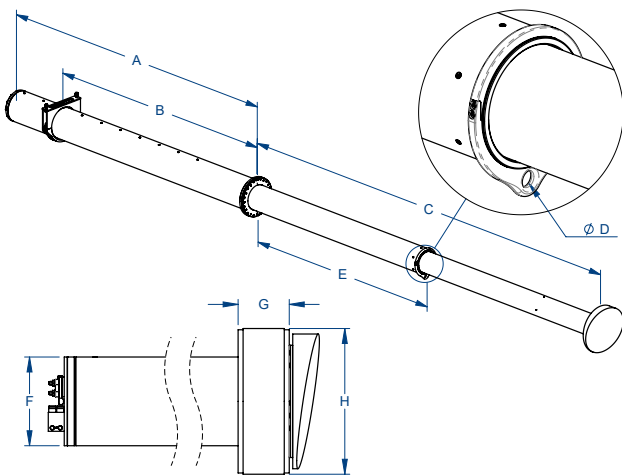
Also referred to as 'tender poles', the hydraulically actuated tender boom extends out of the side of the yacht, replacing the more traditional tender whips. When retracted, the tender boom is flush with the hull topsides. It is an efficient and safe way to manage large and multiple tenders and is essential when dealing with expensive tenders.



Key benefits

- Classification society approved
- Telescopic design
- Push-button deployment
- Lightweight non-corroding materials
- Flush with hull when retracted
- Integrated wash-down system

Key measurements



Construction

Telescopic Tubes:

Carbon fibre (pre-preg)

Housing and Fittings:

316 stainless steel

Paint Finish:

Clear coat carbon fibre or yacht colour scheme

Technical information

Housing Tube Length (m) - A:	4 metres by default, can be reduced at the cost of lower maximum extension (C)
Distance to compliant mount (m) - B:	2 - 3.5
Extension (m) - C:	up to 5.3
Rotating Mooring Point ID (mm) - D:	Ø 36
Housing Diameter (mm) - F:	Ø 355
Weld-in Hull Ring OD (mm) - H:	Ø 500
Operating System:	Hydraulic, Telescoping, 2 stages
Safe Working Load:	Suitable for tenders of up to 15,000 kg depending on configuration
Mooring points:	2x rotating mooring points + optional retractable mooring eye
Hydraulic requirements:	C-Quip supplied HPU (requires 3kW of 400V 50 Hz 3phase power) or 15L/min at 210 Bar
Power supply:	24V DC or 230V AC 50Hz

Optional features

Retractable mooring eye

A mooring eye and short length of line can automatically deploy from the end of the Tender Boom, allowing it to be mounted well above the waterline and still be easily accessible to the tender crew

Working and warning lights

LEDs can illuminate the tender and Tender Mooring Boom for safety and ease of use after dark

Pop-out camera

A retractable camera can pop out of the Tender Boom Housing and live stream video of the tender and surroundings

Additional control panel

To allow control of the Tender Boom from the wheelhouse or tender garage

Remote control

To allow control of the Light Mast from anywhere on the vessel, or from the tender itself



CONTACT US

t: +64 9 573 1970
e: sales@c-quip.com

GLOBAL LOCATIONS

New Zealand
Europe
America

VISIT US

39 Vestey Drive, Mt. Wellington
Auckland 1060, New Zealand
www.c-quip.com